



RT2571W
MAC/BBP

RT2528
2.4 GHz
Transceiver



RT2501USB USB1.1/2.0 Wireless Chipset 802.11 b/g Solution

RT2571W MAC/BBP Integrated Chip

- Host interface: USB1.1 / USB 2.0
- Supports WMM
- Industry Leading Throughput - Packet-OVERDRIVE™ Technology
- Robust Coverage in Real-World Operating Environment
- Comprehensive Operating Systems Support: Windows XP/2000/ME/98SE/CE, Linux, MAC OSX
- Complete Security Features - WEP 64/128, WPA, WPA2, 802.1x, and 802.11i
- Low External Component Count and System Cost
- Advanced Power Saving Algorithm for Dynamic Network Traffic Environment
- Cisco CCS V1.0, 2.0 and V3.0 Compliant
- Advanced Quality of Service (QoS) - 802.11e, WMM
- International Regulatory Compliance - 802.11d
- Linux AP Driver Available
- Bluetooth Co-existence
- WiFi and WHQL Certification

RT2528 2.4 GHz Transceiver Chip

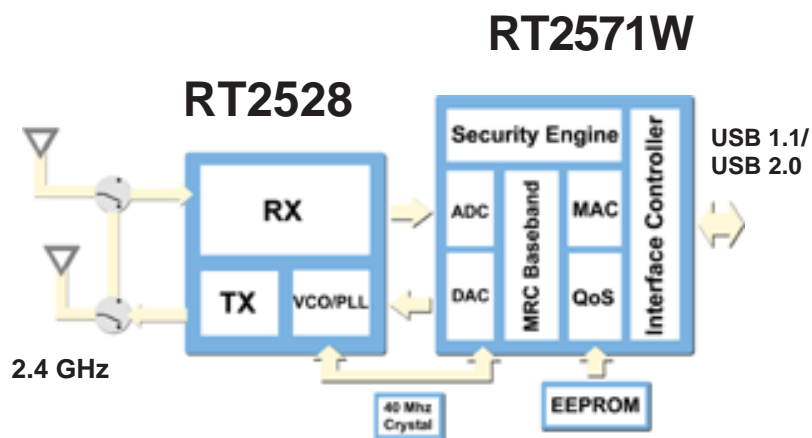
- Low System Noise Figure
- Low Power Consumption
- Patented Superheterodyne Architecture for Outstanding System Performance
- Integrated Reconstruction Filters
- Pre-Drivers of Power Amplifiers
- Power Management/Standby Mode
- Integrated VCO
- High IIP3 and best sensitivity

About the RT2501USB

RT2501USB is Ralink's super 802.11b/g chipset and consists of two highly integrated ICs (RT2528 and RT2571W) that fully comply with IEEE 802.11b/g standards. The chipset achieves high throughput from a long distance, and is loaded with all the feature improvements from Ralink 2nd generation 802.11b/g technology. Intelligent MAC design deploys highly efficient DMA engine and AES/WEP security engine without overloading the host processor.

The RT2501USB is designed to support standard based features in the areas of security, quality of service and international regulation, giving end users greatest performance anytime in any circumstance.

RT2501USB Architecture



Contact Ralink sales representative for more information:

Ralink Technology Corp. - Taiwan
Tel: +886 3.567.8868
Ralink Technology Corp. - USA
Tel: (408) 725-8070

www.ralinktech.com

Specification subject to change without notice

Packet-OVERDRIVE™ is a trademark of Ralink Technology Corporation